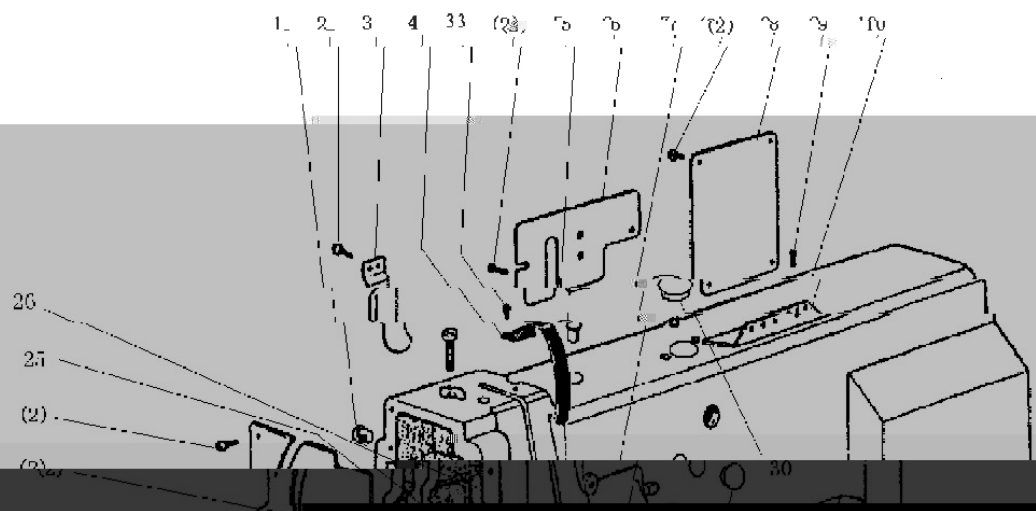




1 卸去視覚部作「7」ARM、BAD AND LOS ADJESSORRESL

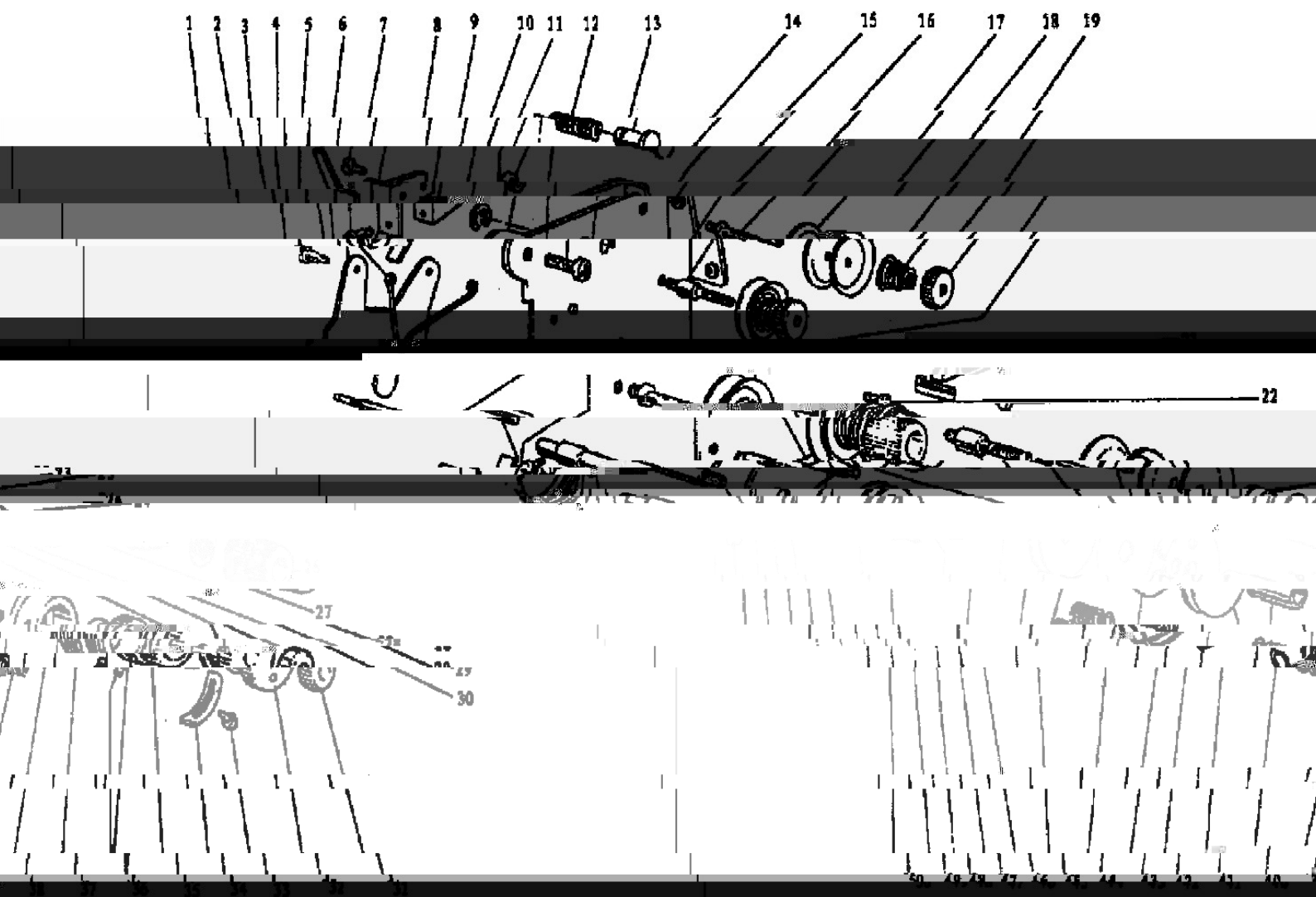


>LS4420LS4400 > 1.

/ ARM BED AND ITS ACCESSORIES

NO	CODE		NAME	AMT	
				4400	4420
1	PF44200101		Rubber plug	2	2
2	PF20520107		Screw	13	13
3	PF44200103		Oil guard plate	1	1
4	PF44200104		Thread take-up cover	1	1
5	PF44200105		Rubber plug	1	1
6	PF44200106		Slide cover(left)	1	1
7	PF20520113		Rubber plug	1	1
8	PF44200108		Slide cover(right)	1	1
9	PF20520102		Screw	2	2
10	PF20520115		Thread guide	1	1
11	PF44200111		Rubber plug	1	1
12	PF44200116		Cap	2	2
13	PF20520118		Slide plate complete	1	1
14	PF20520117		Screw	1	1
15	PF20520141		Felt	1	1
16	PF44200116		Thread guide	1	1
17	PF20520106		Screw	2	2
18	PF6150138		Screw	2	1
19	PF20520123		Screw		1
20	PF44200121		Thread guide(middle)	1	1
21	PF44200122		Face plate	1	1
22	PF20520102		Screw	2	2
23	PF44200124		Thread guide(upper)	1	1
24	PF44200125		Guide mounting plate	1	1
25	PF44200125		Plate for oil guard	1	1
26	PF20520138		Oil guard	1	1
27	PF68425A02		Pin		1
28	PF44200129		Tension releasing pin	1	1
29	PF44200130		Rubber plug	1	1
30	PF44200131		Rubber plug	1	1
31	/		Screw	1	
32	PF44200133		Tension releasing plate	1	
33	PF68425A08		Screw	1	1

2. 夹线调节部件 / THREAD TENSION REGULATOR MECHANISM

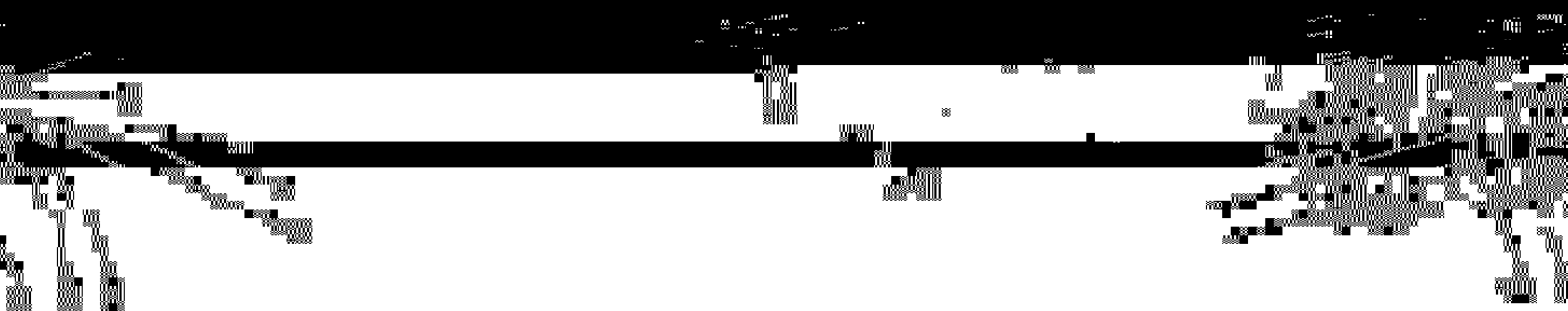


>LS4420LS4400 > 2.

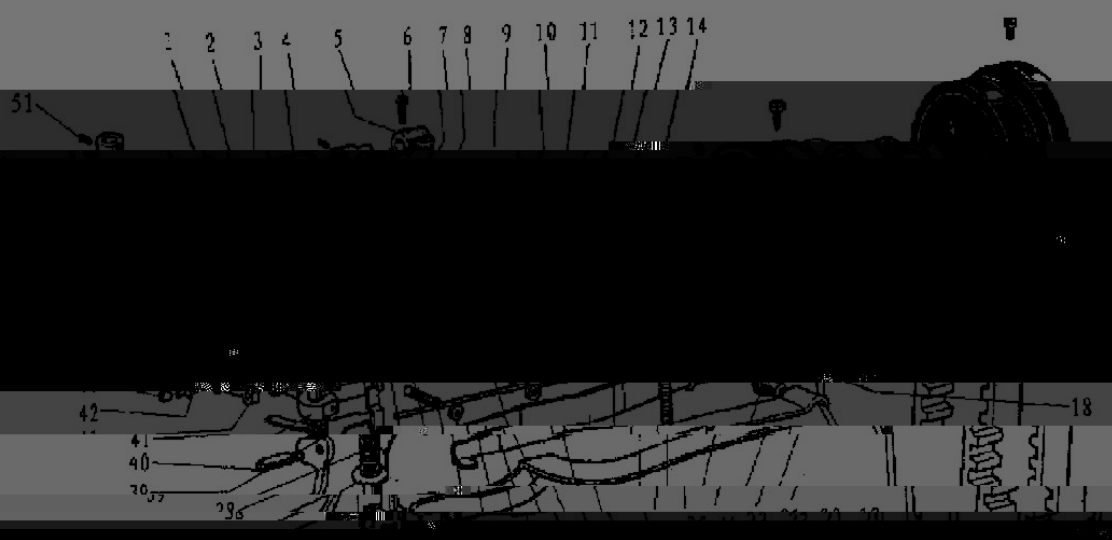
/ THREAD TENSION REGULATOR MECHANISM

NO	CODE		NAME	AMT	
				4400	4420
	PF4400Z0202			1	
	PF4420Z0201				1
1	/		Screw	2	2
2	/		Tension releasing plate	1	1
3	/		Tension releasing spring	1	1
4	/		Screw	1	1
5	/		Lever	1	1
6	/		Screw	1	1
7	/		Mounting plate	1	1
8	/		Stop ring	1	1
9	/		Mounting plate	1	1
10	PF68425A08		Screw	1	1
11	/		Nut	1	1
12	/		Spring	1	1
13	/		Push button	1	1
14	/		Thread tension stud		1
15	/		Thread tension stud	1	1
16	/		Thread tension disk	2	4
17	/		Thread tension spring	1	2
18	/		Thumb nut	1	2
19	/		Pin	2	3
21	/		Thread guide	1	1
22	/		Screw	1	1
23	/		Thread tension releasing plate	1	2
24	/		Thread tension spring	1	2
25	/		Thumb nut revolution stopper	1	2
26	/		Thumb nut complete	1	2
27	/		Thread tension disk	2	4
28	/		Pin		1
29	/		Thread tension stud		1
30	/		Thread tension stud	1	1
31	/		Nut	1	1
32	/		Take-up spring guide		1
33	/		Screw		1
34	/		Stopper		1
35	/		Thread tension post		1
36	/		Screw		2
37	/		Bushing		1
38	/		Plate complete		1
39	/		Thread take-up spring		1
40	/		Plate		1
41	/		Thread take-up spring	1	1
42	/		Plate complete	1	1

43	/		Screw	1	1
44	/		Thread tension stud		1
45	/		Thread tension stud	1	
46	PF44200246		Screw	1	1
47	/		Pin	1	1
48	/		Tension releasing pin	1	1
49	/		Screw	1	1
50	PF20520243		Stopper	1	1



4. 压脚部件 / PRESSER FOOT MECHANISM

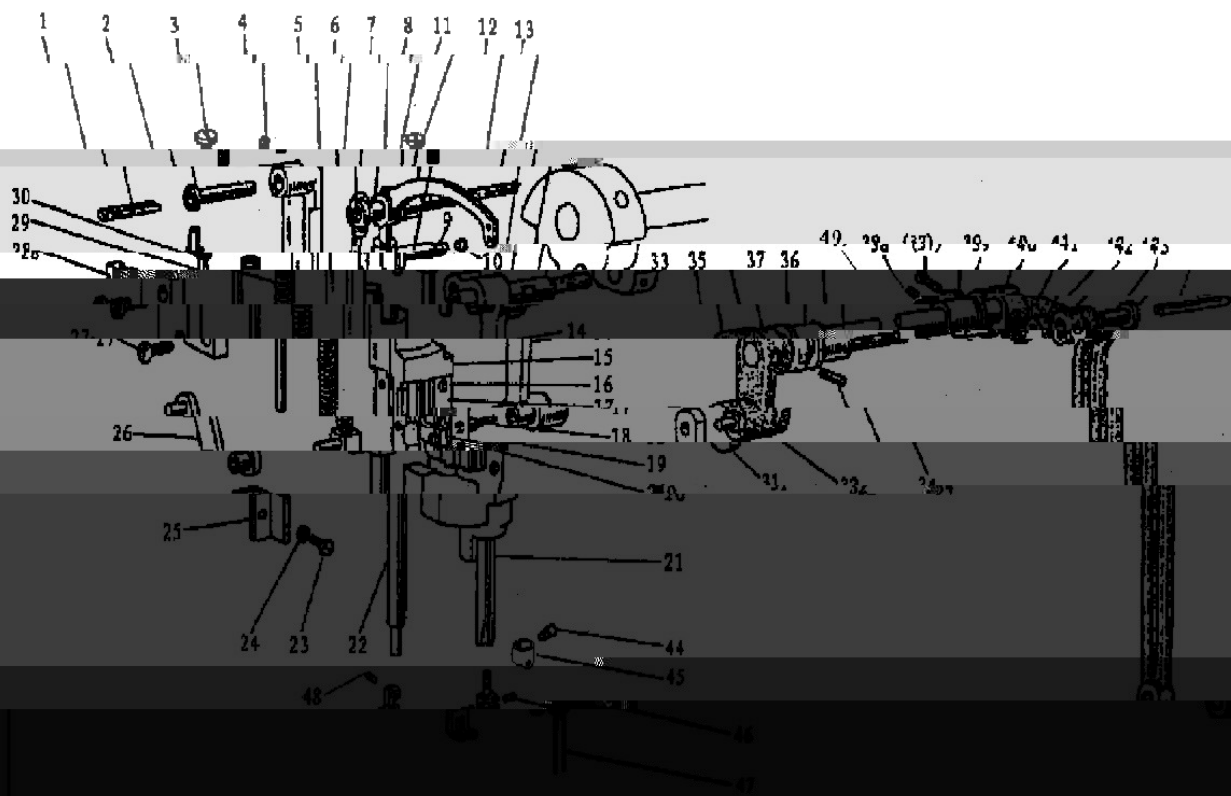


>LS4420LS4400 > 4.

/ PRESSER FOOT MECHANISM

NO	CODE		NAME	AMT	
				4400	4420
1	PF44200401		Feed lifting rock shaft	1	1
2	PF44200402		Screw	2	2
3	PF44200403		Bushing	2	2
4	GB50028		Nut	1	1
5	/		Lever	1	1
6	PF0302646		Screw	1	1
7	/		Washer	1	1
8	/		Connecting rod	1	1
9	/		Bolt	1	1
10	/		Oil pipe & wick complete	1	1
11	PF44200411		Spring	1	1
12	/	C	C-type stop ring	1	1
13	/		Eccentric	1	1
14	/		Screw	2	2
15	PF44200415		Screw	1	1
16	PF44200416		Knee lifting lever complete	1	1
17	/		Snap pin	1	1
18	PF44200418		Operation rod	1	1
19	PF44200419		Sleeve	1	1
20	PF44200420		Screw	1	1
21	PF44200421		Screw	1	1
22	PF44200422		Lever spring	1	1
23	PF44200423		Screw	1	1
24	PF44200424		Twist spring	1	1
25	PF44200425		Knee lifting lever	1	1
26	PF44200426		Screw	1	1
27	PF44200427		Nut	1	1
28	PF44200428		Screw	1	1
29	PF44200429		Screw	2	2
30	PF44200430		Guide	1	1
31	PF44200431		Bushing	2	2
32	PF44200432		Presser bar	1	1
33	PF20520332		Screw	1	1
34	PF44200434		Spring bracket	1	1
35	PF44200435		Thread releasing plate	1	1
36	PF555049		Screw	1	1
37	PF44200437		Lifter lever	1	1
38	PF44200438		Spring	1	1
39	PF44200439		Bracket	1	1
40	PF44200440		Screw	1	1
41	PF44200441		Bell crank	1	1
42	PF44200442		Support shaft	1	1
43	PF030266		Roller	1	1

44	PF44200444		Screw	1	1
45	PF0302621		Screw	1	1
46	PF44200446		Li nk	1	1
47	PF6150107		Screw	2	2
48	/		Washer	2	2
49	PF44200449		Bel l crank gui de	1	1
50	PF44200450		Screw	1	1
51	PF44200307		Screw	2	2



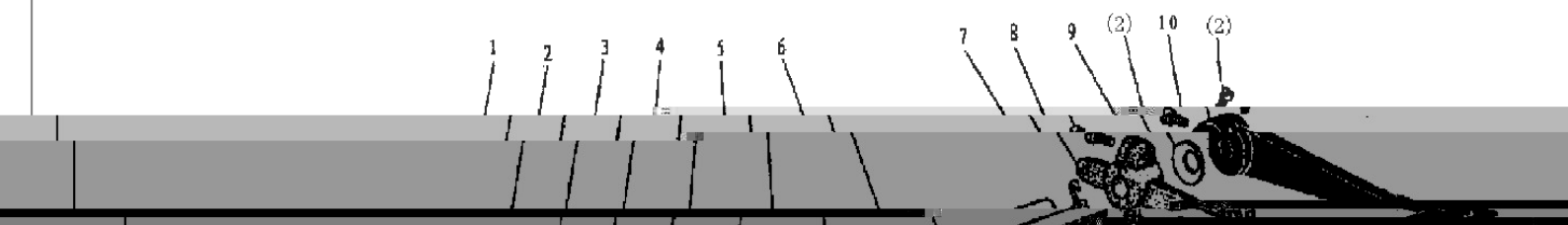
>LS4420LS4400 > 5.

NEEDLE BAR & THREAD TAKE-UP LEVER MECHANISM

NO	CODE		NAME	AMT	
				4400	4420
1	/		Oil wick	1	1
2	PF44200502		Needle bar guide bracket stud	1	1
3	PF44200503		Screw	1	1
4	PF68425E39		Screw	1	1
5	/		Oil wick	1	1
6	PF44200506		Thread take-up lever support stud	1	1
7	PF4420Z0502		Thread take-up lever	1	1
8	/		Thread take-up slide block	1	1
9	/		Oil wick	1	1
10	/		Plug	1	1
11	PF6150312		Screw	1	1
12	PF20520407		Needle bar crank pin	1	1
13	PF20520802		Oil wick	1	1
14	/		Connecting link	1	1
15	PF4420Z0501		Needle bar guide bracket	1	1
16	/		Screw	6	6
17	/		Spacer	2	2
18	/		Felt	1	1
19	/		Needle bar holder	1	1
20	/		Screw	1	1
21	PF44200521		Needle bar		1
	PF44000521		Needle bar	1	
22	PF44200522		Vibrating presser bar	1	1
23	PF22520628		Screw	1	1
24	/		Washer	1	1
25	PF22520630		Needle bar guide	1	1
26	PF44200526		Vibrating presser bar link	1	1
27			Screw	2	2
28	PF44200528		Vibrating presser bar guide	1	1
29	PF44200529		Spring	1	1
30	PF44200530		Vibrating presser spring guide	1	1
31	PF20520512		Square block	1	1
32	PF20520513		Crank pin	1	1
33	PF20520514	()	Needle bar vibrating crank (left)	1	1
34	PF20520515	()	Taper	1	1
35	PF44200535		Collar	1	1
36	PF22520818		Needle bar vibrating shaft	1	1
37	PF20520412		Needle bar vibrating shaft bushing	2	2
38	PF0302646	()	Screw	1	1
39	PF22520520	()	Needle bar vibrating crank (right)	1	1
40	PF20520419		Nut	1	1
41	PF22520524		Connecting link	1	1
42	PF20520417		Screw	1	1

43	/		Cl wick	1	1
44	PF20521129		Screw	1	
45	/		Thread guide	1	
46	PF44200546		Screw		2
47	PFDTP1723	DPx 17 23#	Needle	1	2
48	/		Screw	1	1
49	/		Screw	1	1

6. 针距调节部件 / STITCH REGULATOR MECHANISM



NO	CODE		NAME	AMT	
				4400	4420
1	PF44200601		Stitch regulator crank	1	1
2	PF6150610		Screw	4	4
3	PF20520803		Screw	1	1
4	PF44200604		Link	1	1
5	PF6150518		Pin	1	1
6	PF44200606		Reverse stitch shaft	1	1
7	PF20520809		Reverse sewing crank	1	1
8	PF20520810		Screw	1	1
9	PF6150627		Spring washer	1	1
10	PF20520814		Reverse sewing lever	1	1
11	PF68425A08		Screw	5	5
12	PF44200613		Spring	1	1
13	PF20520816		Spring bracket	1	1
14	PF6150107		Screw	1	1
15	PF555076		Stop pin spring	1	1
16	PF0302425		Stop pin	1	1
17	PF6150633		Screw	1	1
18	PF44200621		Stitch length dial	1	1
19	PF44200622		Stitch knob	1	1
20	PF44200623		Coil spring	1	1
21	PF20520818		Screw bar	1	1
22	PF6150629	O	Ring	1	1
23	PF20520805		Eccentric shaft	1	1
24	PF2052082301		Screw	2	2
25	PF20520823		Screw	1	1
26	PF44200629	()	Reverse sewing crank (lower)	1	1
27	PF44200630		Collar	1	1
28	PF68425E39		Screw	2	2
29	/	()	Felt	1	1
30	PF44200633		Reverse block	1	1
31	/	()	Felt	1	1
32	/		Square block	2	2
33	/		Guide plate	2	2

7. 下轴、送粉轴部件 / LOWER SHAFT AND FEED PUCK SHAFT MECHANISM



© 2016

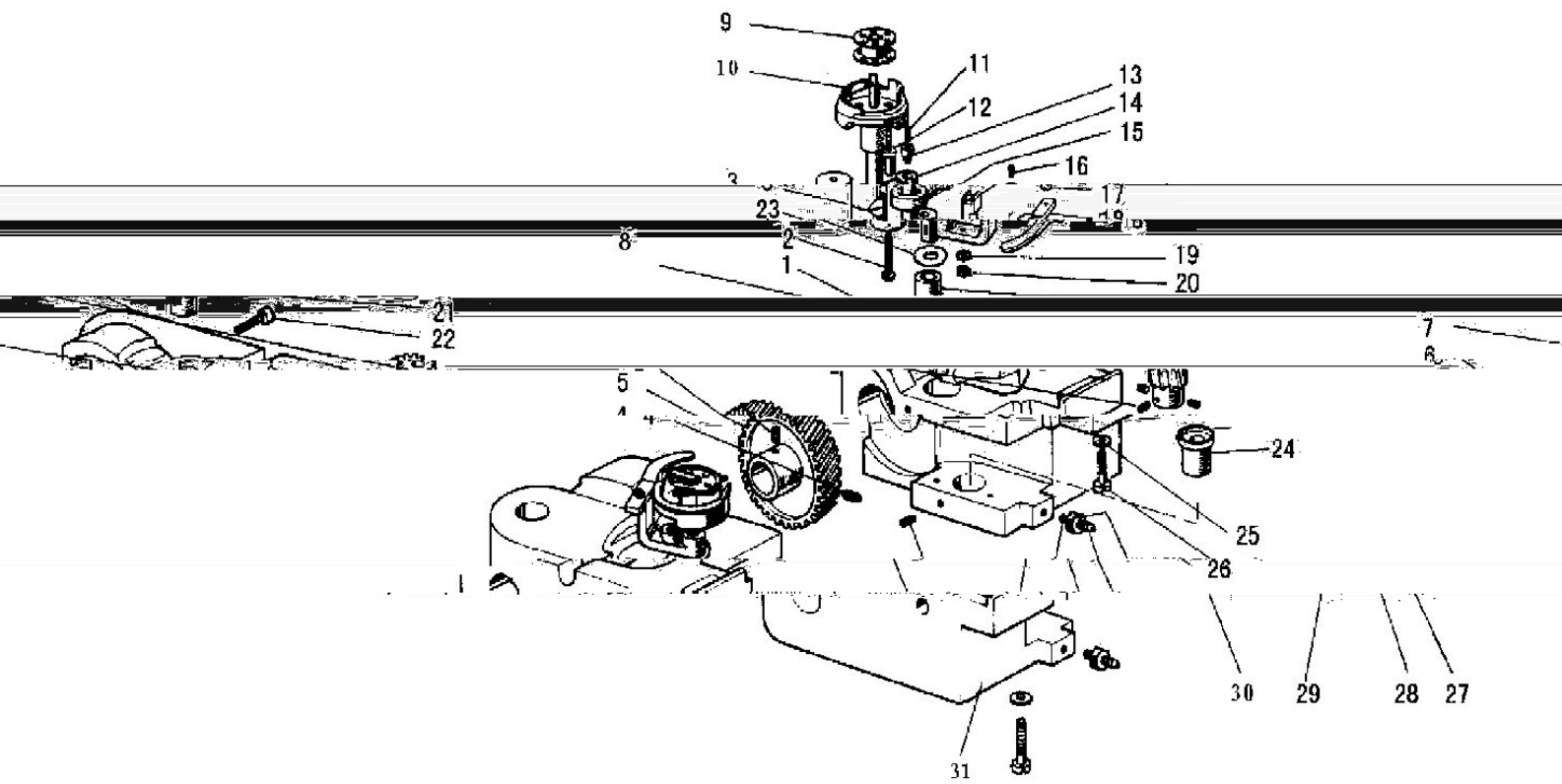


>LS4420LS4400 > 7.

LOWER SHAFT AND FEED ROCK SHAFT MECHANISM

NO	CODE		NAME	AMT	
				4400	4420
1	PF44200701	()	Lower shaft bushing (left)	1	1
2	/		Oil wick	1	1
3	PF44200703		Lower shaft	1	1
4	PF44200704		Feed eccentric cam	1	1
5	PF20520905		Screw	2	2
6	PF44200706	()	Lower shaft bushing (right)	1	1
7	/		Oil wick	1	1
8	/		E-type stop ring	3	3
9	PF44200709		Spring	1	1
10	PF44200710		Push button	1	1
11	PF6150312		Screw	2	2
12	PF44200701		Feed eccentric cam	1	1
13	/		Feed connecting rod	1	1
14	/		Needle bearing	1	1
15	/	C	C-type stop ring	1	1
16	/		Oil wick	1	1
17	PF44200717		Shaft	1	1
18	PF44200718	()	Bushing complete (middle)	1	1
19	PF44200719		Bushing	1	1
20	PF5550625		Screw	1	1
21	PF20520922		C-type stop ring	1	1
22	PF44200722		Ball bearing	1	1
23	PF44200723		Bearing holder	1	1
24	PF20520102		Screw	3	3
25	PF44200725		Washer	1	1
26	PF44200726		Screw	1	1
27	PF44200727		Nut	1	1
28	PF44200728	()	Feed connecting crank (right)	1	1
29	PF0302646		Screw	2	2
30	PF20520940		Feed rock shaft bushing	2	2
31	/		Screw	2	2
32	PF6150512		Collar	2	2
33	PF5550625		Screw	4	4
34	PF44200735	()	Feed connecting crank (middle)	1	1
35	PF44200736		Link	1	1
36	PF44200738		Pin	1	1
37	/		Oil wick	1	1
38	PF20520938		Feed rock shaft	1	1
39	/		Felt	2	2
40	PF6150507		Screw	2	2
41	PF20520942		Feed bar crank	1	1
42	/		Oil wick	1	1
43	PF20520929		Feed bar shaft	1	1

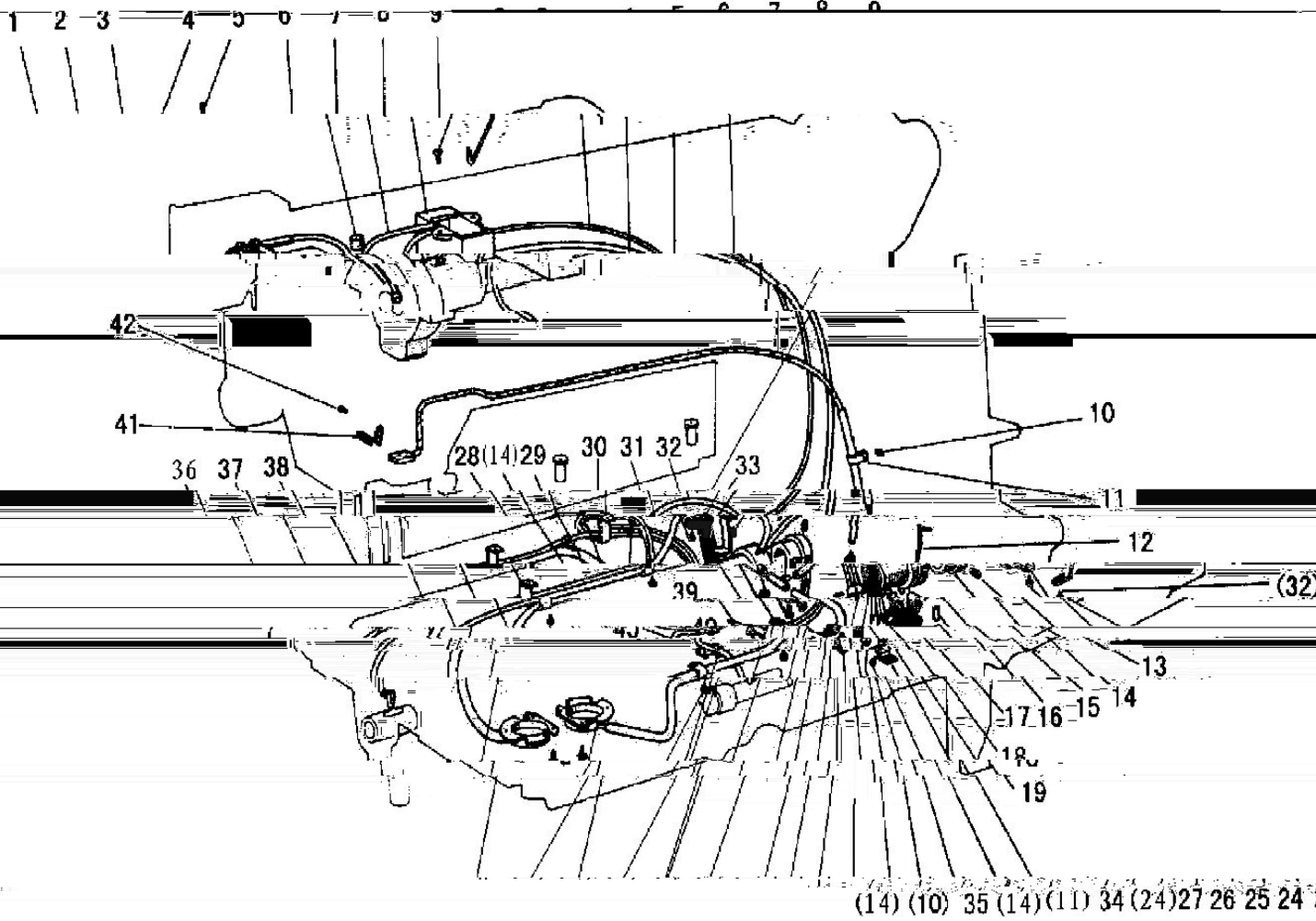
44	PF2052082301		Screw	1	1
45	PF20520926		Feed bar		1
	PF44000750		Feed bar	1	
46	PF20520945		Screw	1	1
47	/		Washer	1	1
48	PF20520952		Screw	2	2
49	PF20520947		Screw		1
50	PF20520948		Nut		1
51	PF20520951		Screw	1	1
52	PF68425K43		Fel t	1	1
53	PF44200757		Feed bar connecti ng fork	1	1



>LS4420LS4400 > 8.

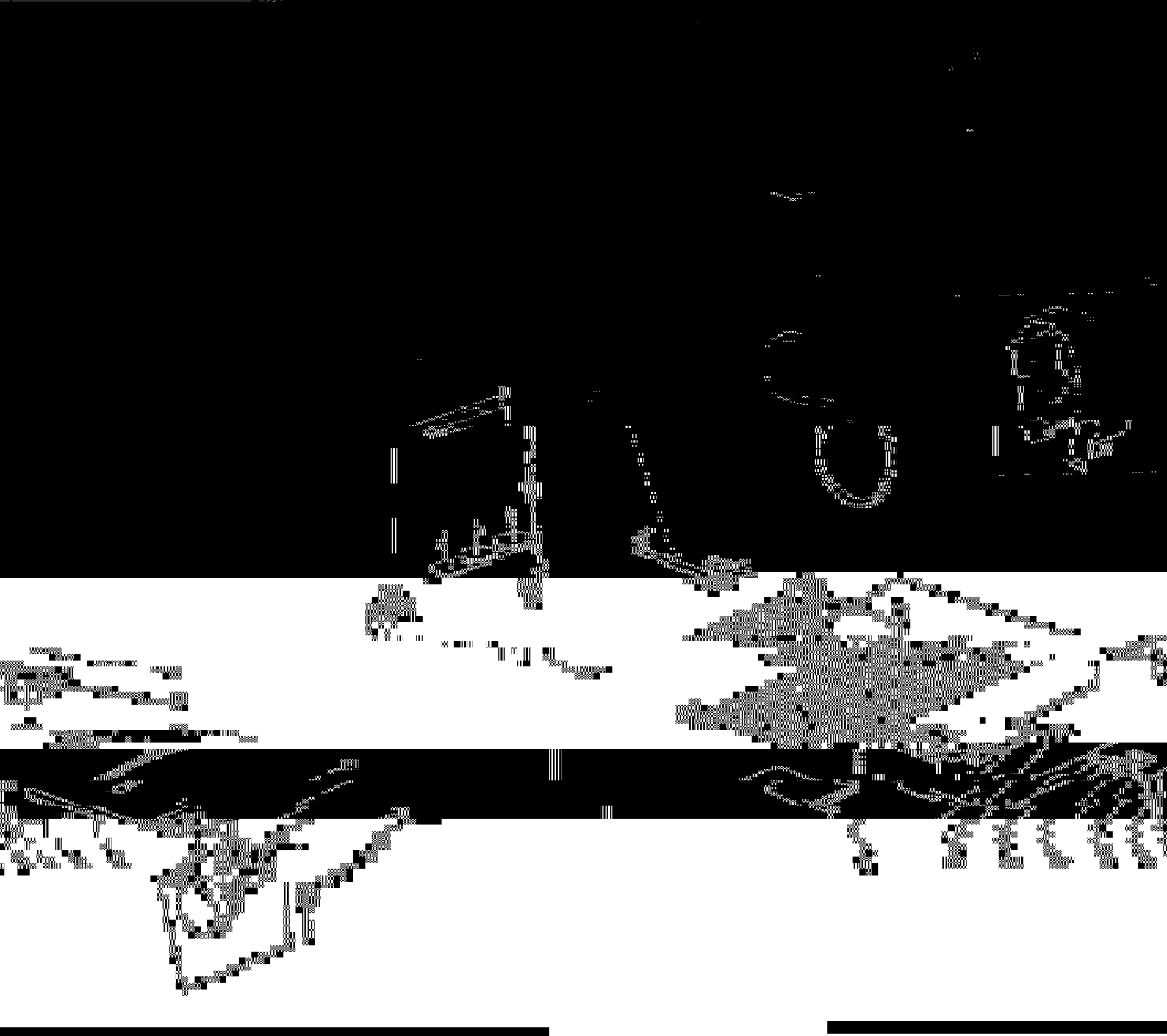
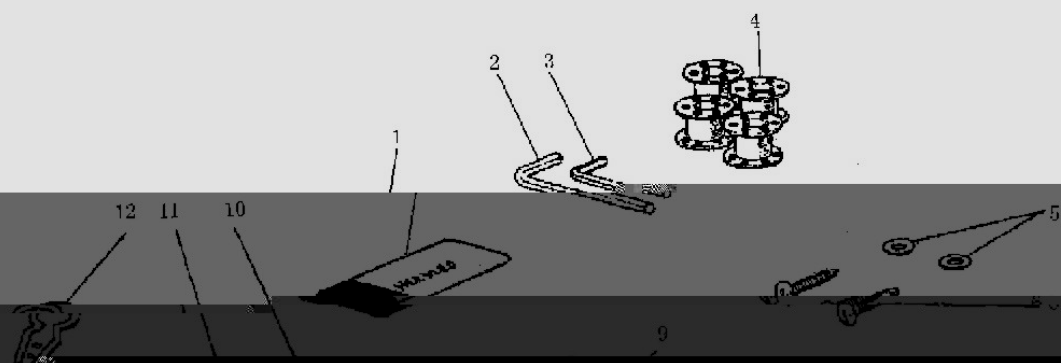
/ HOOK SADDLE MECHANISM

NO	CODE		NAME	AMT	
				4400	4420
1	PF2052H1001		Hook saddle (right)	1	1
2	PF68425H2701		Screw	1	2
3	PF68425H27		Sleeve assembly	1	2
4	/		Screw	4	8
5	PF44200805		Hook driving gear (large)	1	2
6	/		Screw	1	2
7	PF6150304		Screw	3	6
8	PF44200808		Hook driving gear (small)	1	2
9	PF68725H41		Bobbin	1	2
10	PF44200811		Hook complete	1	2
11	/		Oil wick	2	4
12	PF20521010		Opener bracket shaft	1	2
13	PF20521011		Screw	1	2
14	PF2052H1012		Link	1	2
15	PF2052H1013		Opener bracket	1	2
16	PF68425H52		Screw	1	2
17	/		Washer	1	2
18	PF2052H1018		Opener	1	2
19	/		Spring washer	1	2
20	PF20521015		Nut	1	2
21	PF2052H1002		Hook shaft bushing (upper)	1	2
22	PF20521019		Screw	1	2
23	PF2052100403		Washer	1	2
24	PF20521023		Hook shaft bushing (lower)	1	2
25	/		Washer	1	2
26	PF20521025		Screw	1	2
27	PF20521027		Nut	1	2
28	PF20521026		Screw	1	2
29	/		Spring washer	1	2
30	PF6150405		Screw	2	4
31	PF2052H1032		Hook saddle (left)		1



NO	CODE		NAME	AMT	
				4400	4420
1	PF20521104		Fel t	1	1
2	/		O I pi pe compl ete	1	1
3	PF20521107		O I reservoi r compl ete	1	1
4	PF20521109		Screw	2	2
5	PF20521160		Hol der	1	1
6	/	3× 1× 480	O I pi pe	1	1
7	/	5× 1× 420	O I pi pe	1	1
8	/		O I refl ux compl ete	1	1
9	PF44200909		Fi l ter hol der	1	1
10	/		Screw	4	7
11	PF20521118		Hol der	5	4
12	PF44200913		Hol der	1	1
13	PF20521119		Hol der	1	1
14	/		Screw	9	9
15	PF7810638		Screw	2	2
16	PF44200917		Bushi ng	1	1
17		Fi l ter	1 1		
	PF20521132		Screw	2	2
25	PF44200926		Munti ng pl ate compl ete	1	1
26	PF6150539		O i p	1	1
27	PF20521134		Hol der	1	1
28	PF44200928		Hol der	1	1
29	PF20521148		Hol der		1
30	PF20521149		O I pi pe j oi nt		1
31	PF6150107		Screw	2	2
32	/	3× 1× 120	O I pi pe		137
38					
	PF20521147		Hol der	3	3
39	/		O I pi pe compl ete	1	1
40	/		O I pi pe compl ete	1	1
41	PF44200944		Spri ng	1	1
42	PF9000.8108		Screw	1	1

10. 附件 / ACCESSORIES



>LS4420 LS4400 > 10. / ACCESSORIES

NO	CODE		NAME	AMT	
				4400	4420
1	PFDTDP1723	DP× 17 23#	Needl e	1	1
2	PF68425Z108	3mm	Socket wrench	1	1
3	PF68425Z109	2.5mm	Socket wrench	1	1
4	PF68725H42		Bobbi n	2	4
5	/		Washer	2	2
6	/		Screw	4	4
7	PF555099		Vi brati on preventi ng rubber	2	2
8	PF555098		Vi brati on preventi ng rubber	2	2
9	PF61501105		O i l er	1	1
10	PF55501017		Screw dri ver (mi ddl e)	1	1
11	PF55501018		Screw dri ver (smal l)	1	1
12	PF20521210		Tread a needl e ki t	1	1
13	PF55501022		O i l can	1	1
14	PF68425Z217		Thread stand	1	1
15	PF61501001		Bobbi n wi nder	1	1
16	PF555097		Magnet block for reservoi r	1	1
17	PF5550101		H i nge compl ete	2	2
18	PF68425Z104		Screw dri ver (l arge)	1	1
19	/		Smal l parts	1	1
20	PF20521227		Knee lifer pi n	1	1
21	PF20521229		Knee lifer shaft	1	1
22	PF6150907		Spring	1	1
23	/		Bol t	1	1
24	PF20521232		Nut	2	2
25	PF20521233		Screw	2	2
26	PF20521234		Knee lifer crank	1	1
27	GB/T896	E 9	E-type stop ring	1	1
28	PF20521224		Washer	1	1
29	PF6150902		Screw	1	1
30	PF20521222		O i l reservoi r	1	1
31	PF5550102001		Machi ne cover	1	1
32	PF44201032		Bel t cover compl ete	1	1
33	PF5550102403		Bel t	1	1